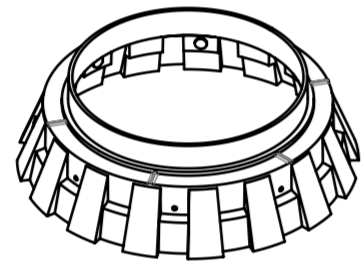
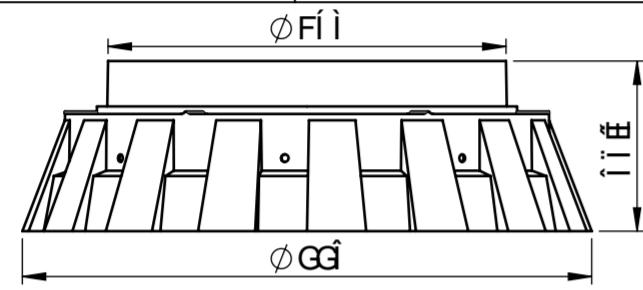
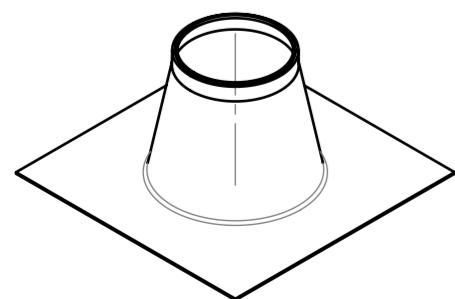
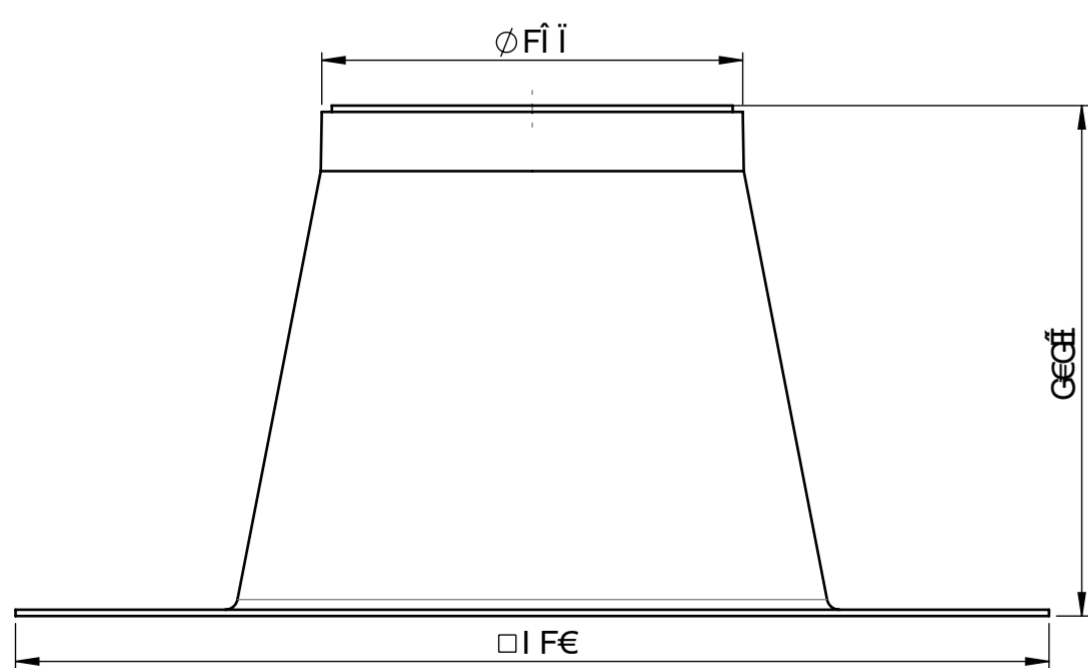


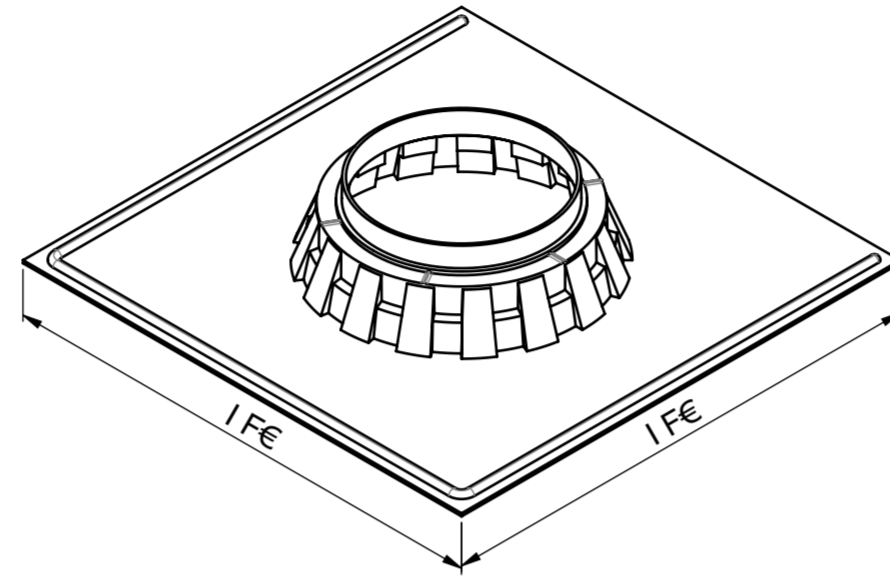
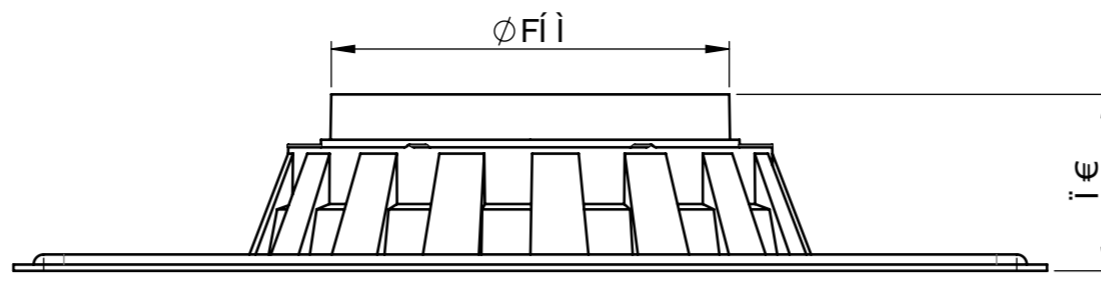
8 CA9



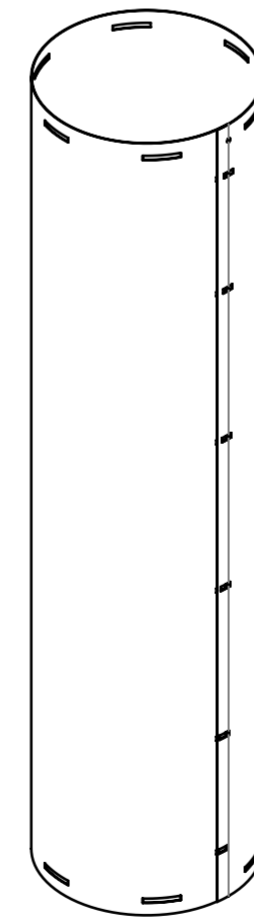
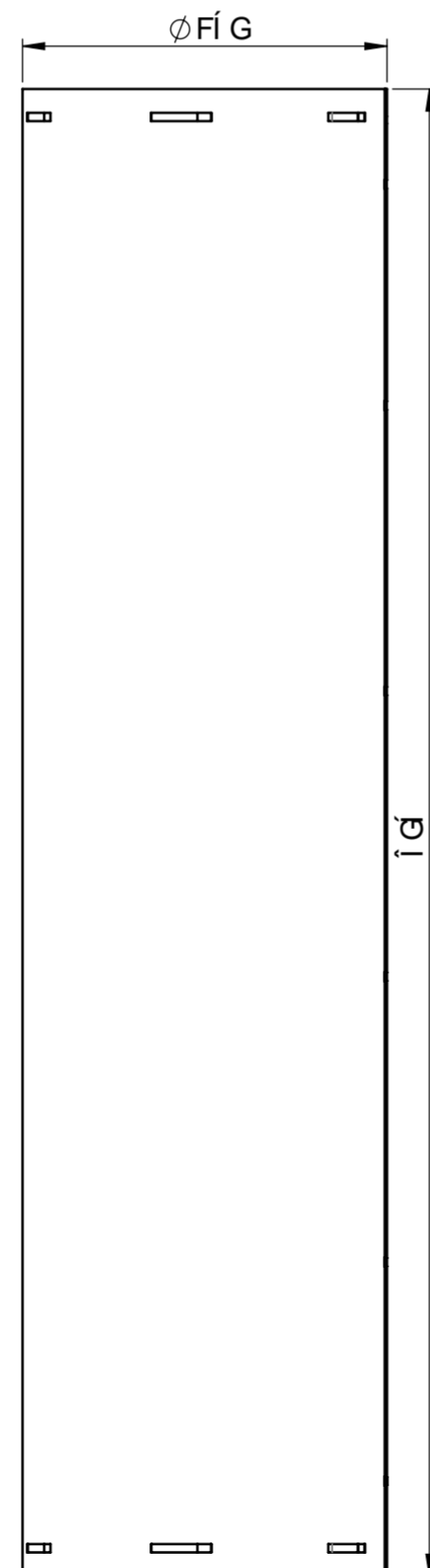
7 C @ G F



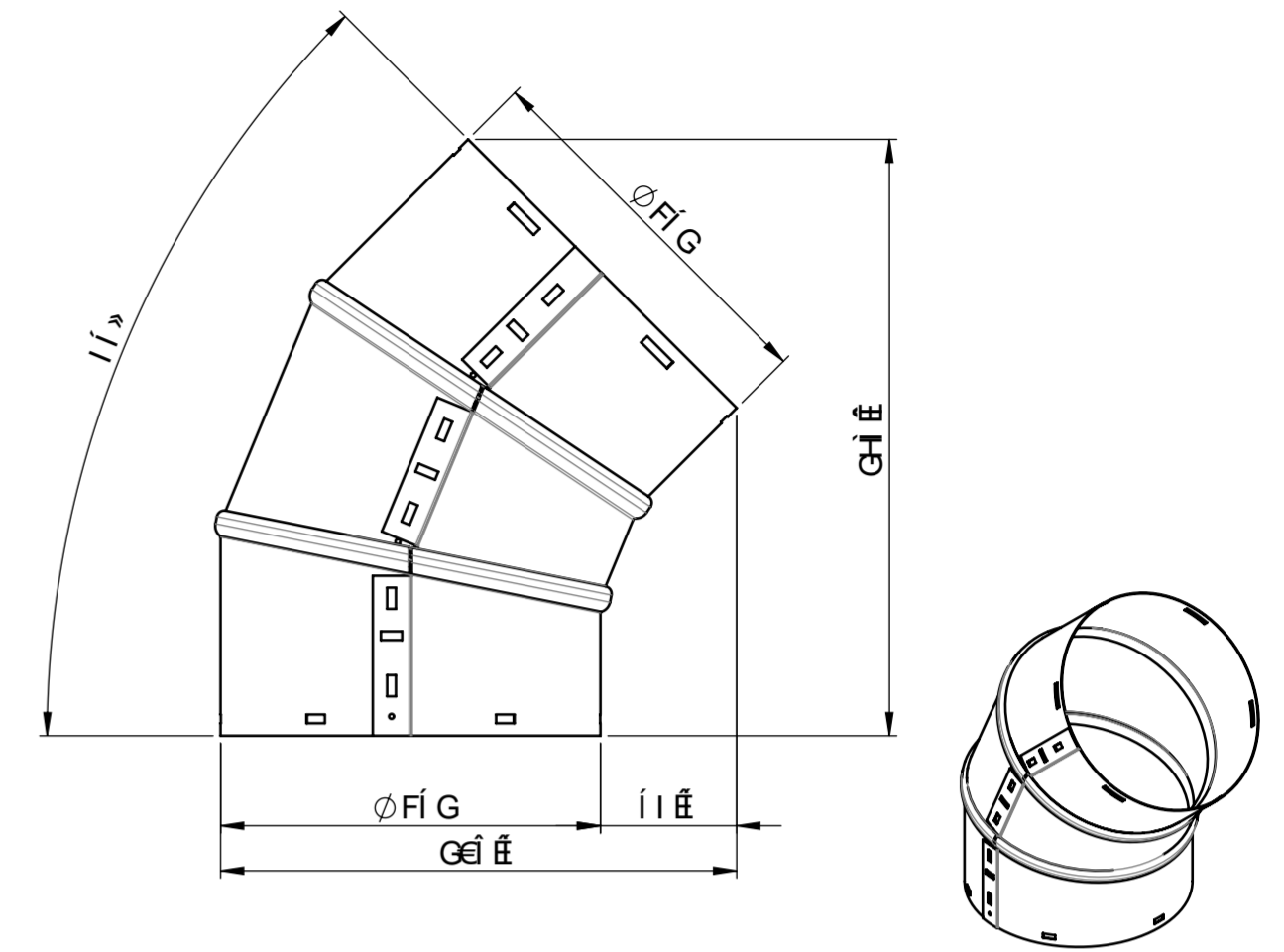
: @ G < B; ' D @ H 9 : C F : @ H F C C : G



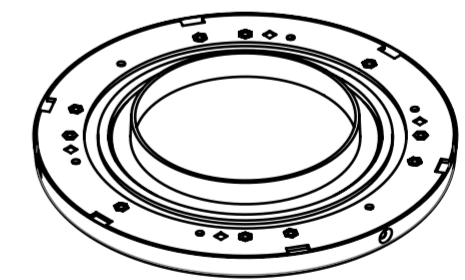
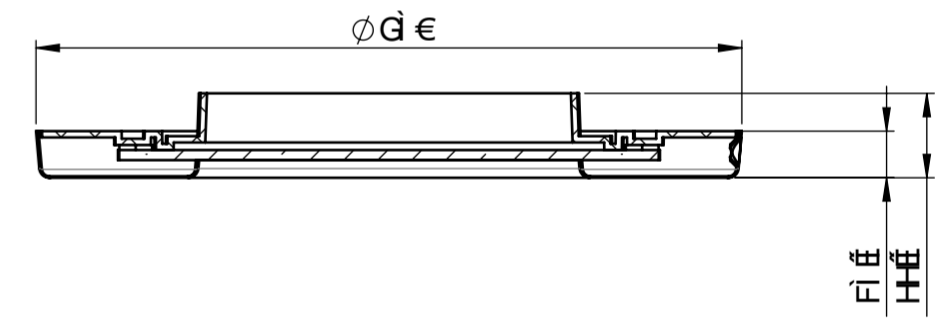
: @ G < B; ' D @ H 9 : C F ' D + 17 < 98 ' FCC: G



H 69 * &) a a



58 > I GH56 @ ' 9 @ CK () s



8 = I G9F

@ < HK 5 M
7 F MGH5 @ & \$ \$ < D

